



GREEN LINE

Glass Accessories & Hardware

Glass Door
Connections

Glass Door Connections

GREEN LINE

Green line
Glass Door Connections

GL



Glass Door Connections



new glass movable connecting hardware system
All components are standard precision casting components
Can be combined in many ways according
to designing demand
series components emphasize
practicability and convenience
All adopts the bolted joint and avoids welding
The design is accurate, safe and reliable
Applicable in extensive range
Can customize specially



GL8000A-1

Glass/wall corner fixing connector

Connection for connecting wall and glass, both sides can adjusted angle



PRODUCT MODEL



INSTALLING

GL8000A-2

Glass/wall corner fixing connector

Connection for connecting wall and glass, both sides can adjusted angle



PRODUCT MODEL



INSTALLING

GL8000A-3

Glass/wall corner fixing connector

Connection for connecting wall and glass, just one sides can adjusted angle



PRODUCT MODEL



INSTALLING



GL8000A-4

Double fixing connector

Connection for connecting wall and glass, four directions sides can be adjustable



PRODUCT MODEL



INSTALLING

GL8000A-5

Glass/wall corner connector

Connection for connecting wall and glass, can't be adjustable



PRODUCT MODEL



INSTALLING

GL8000A-6

Glass/wall corner connector

双头可调角度

Connection for connecting wall and glass, both sides can be adjustable



PRODUCT MODEL



INSTALLING

new glass movable connecting hardware system

All components are standard precision casting components

Can be combined in many ways according to designing demand

practicability and convenience

All adapts the bolted joint and avoids welding

The design is accurate, safe and reliable

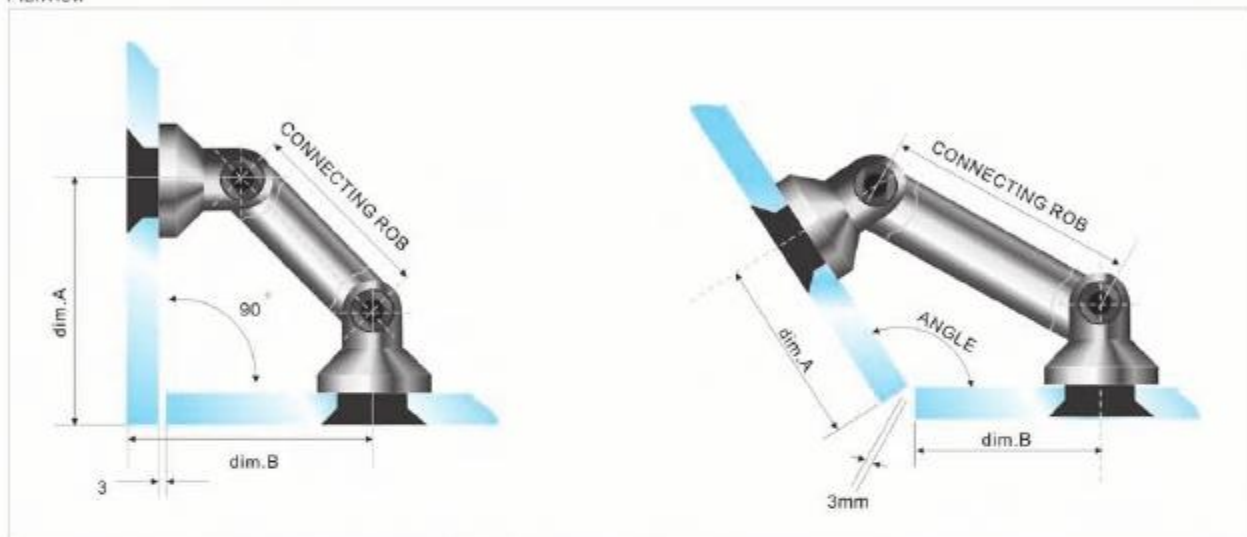
Applicable in extensive range

Can customize specially

GLASS PREPARATION

For glass/glass corner connectors for

Planview



8000A-1, 8000A-2, 8000A-4 connecting rob size and angle! (Dim. In mm for 10mm glass. For other glass thickness please adapt accordingly.)

ANGLE	LENGTH OF CONNECTING ROB AND IN MM			
	A/B	A/B	A/B	A/B
90°	75.6	81	96.5	111.3
95°	60.2	65.3	80.5	94.5
100°	56.7	61.6	75.9	89.5
105°	53.4	58.2	72.1	85.3
110°	50.5	55.1	68.5	81.3
115°	47.8	51.8	65.3	77.7
120°	45.3	49.5	62.3	74.4
125°	42.8	47.1	59.5	71.4
130°	40.7	44.9	57	68.6
135°	38.7	42.8	54.7	66
180°	24.7	28.5	39.5	50





GL8000A

Connecting rod



Two kinds connecting for glass hole

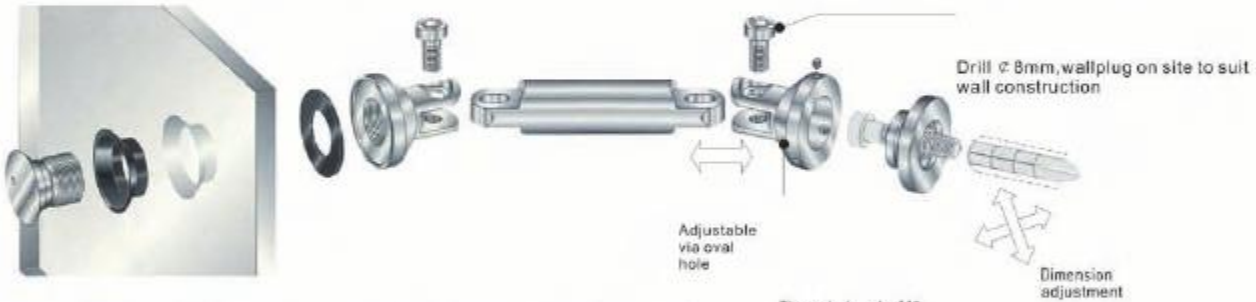


Countersunk

Flat

Use: two kinds options of glass connection ,mainly used for clamping glass.

Components and assembly of the wall fixing



For glass/glass corner connectors for 10mm and 12mm thick toughened glass.

Threaded rod M8 with small head.

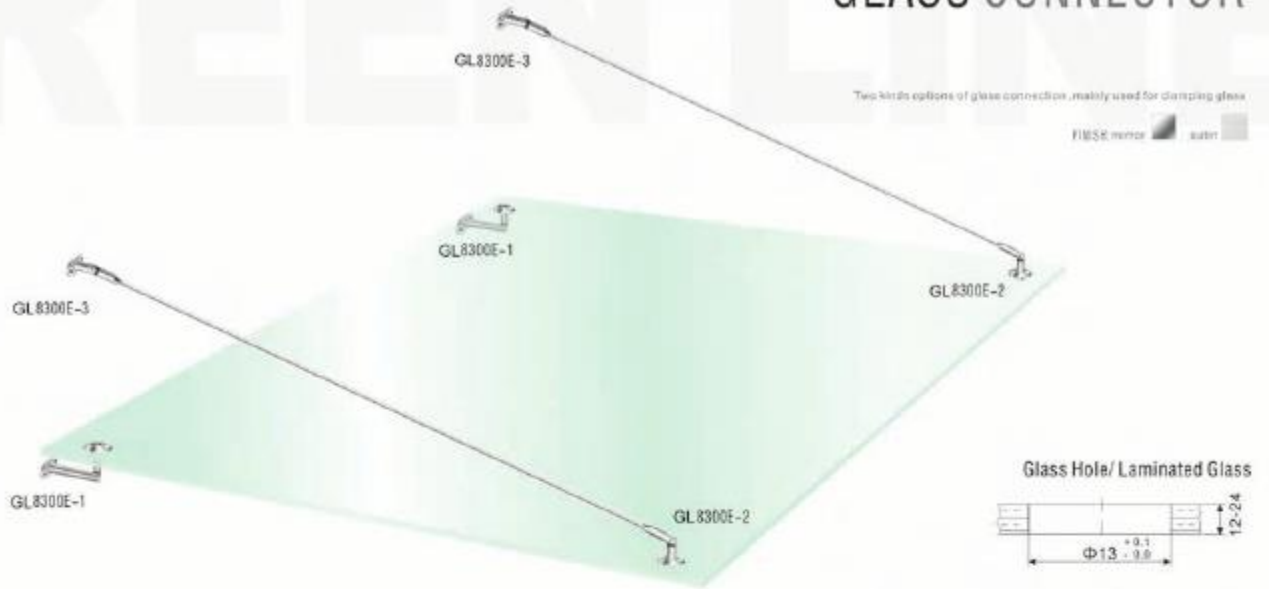
GL8300-T

Installation tool



The following fittings offer great flexibility in the positioning and connecting of glass sheets to each other, or the

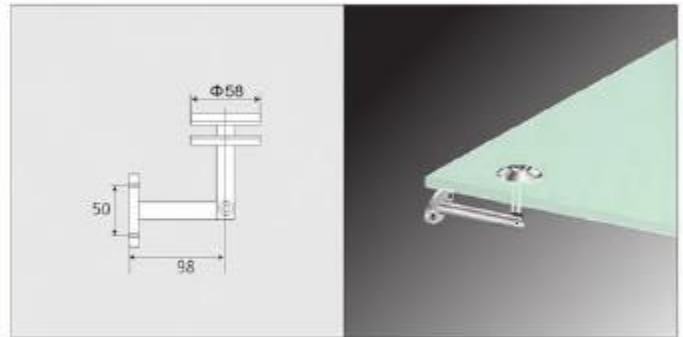
GLASS CONNECTOR



PRODUCT MODEL

GL8300E-1

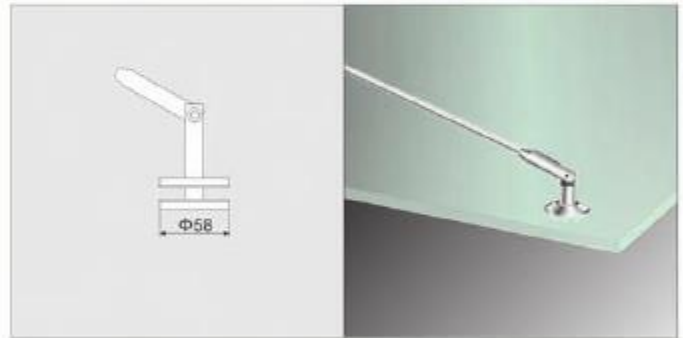
Wall to glass connector STD (cable connection)



PRODUCT MODEL

GL8300E-2

Front cantilever glass bracket STD (cable connection)



PRODUCT MODEL

GL8300E-3

Rear cantilever wall bracket STD (cable connection)



Glass Door Connections

GREEN LINE

Green line
Glass Door Connections

GL



GREEN LINE[®]

133

Glass Door Connections
Out Of Your Imagination

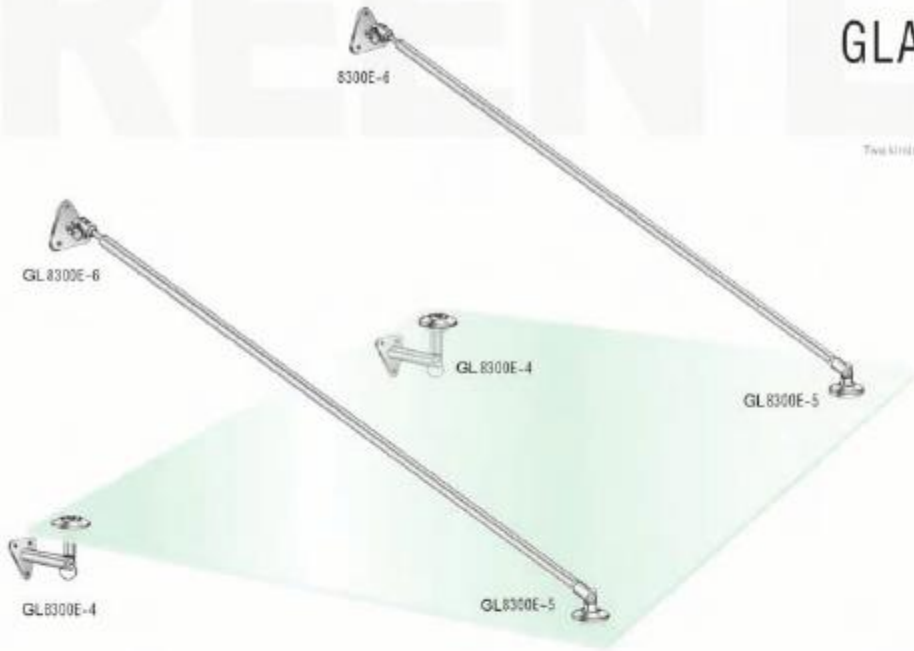
GREEN LINE[®]
www.greenline-acc.com

GREEN LINE

GLASS CONNECTOR

Two kinds options of glass connector, mainly used for clamping glass

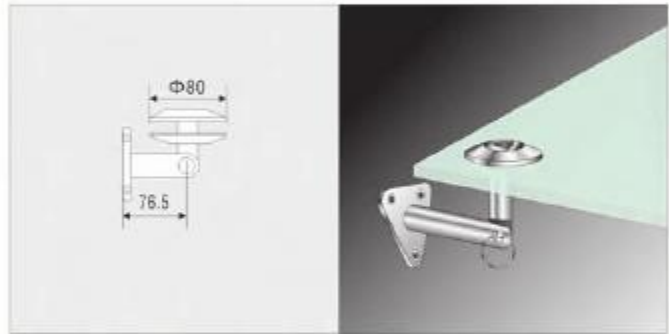
FINISH: mirror  satin 



Glass Hole/ Laminated Glass



PRODUCT MODEL - NEW
GL8300E-4
Wall to glass connector STD



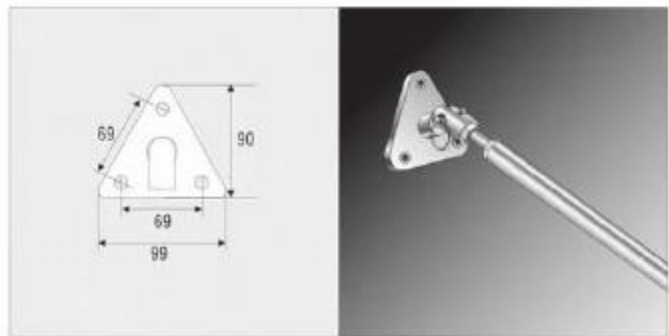
INSTALLATION

PRODUCT MODEL - NEW
GL8300E-5
Front cantilever glass bracket STD



INSTALLATION

PRODUCT MODEL - NEW
GL8300E-6
Rear cantilever wall bracket STD



INSTALLATION

Glass Door Connections

GREEN LINE

Green line
Glass Door Connections

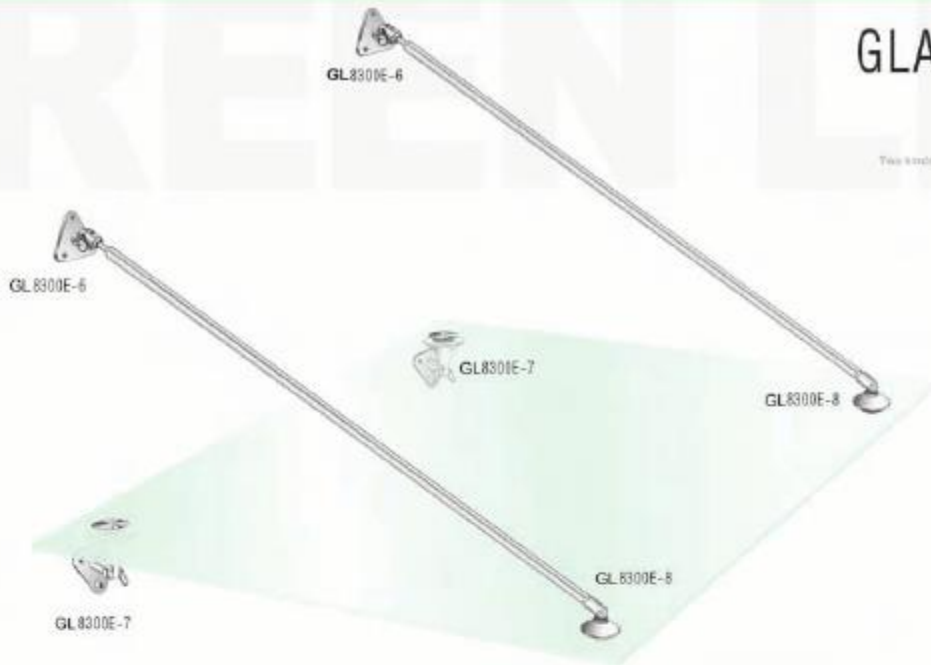


GREEN LINE®

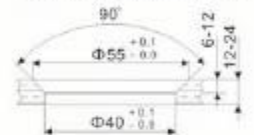
GLASS CONNECTOR

Two kinds options of glass connector, mainly used for clamping glass

FINISH: mirror / satin

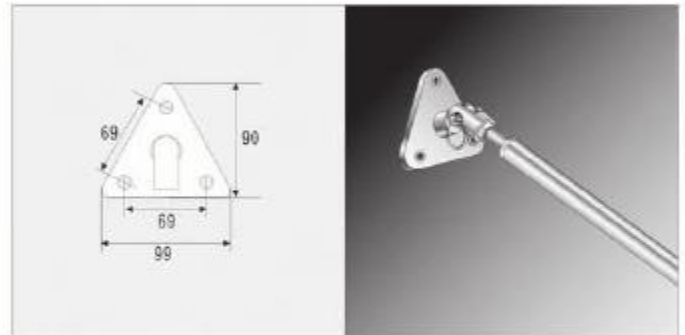


Glass Hole/ Laminated Glass



PRODUCT MODEL - NEW
GL8300E-6

Rear cantilever wall bracket STD



INSTALLATION



PRODUCT MODEL - NEW
GL8300E-7

Wall to glass connector CS



INSTALLATION



PRODUCT MODEL - NEW
GL8300E-8

Front cantilever glass bracket CS



INSTALLATION

Glass Door Connections

GREEN LINE

Green line
Glass Door Connections

GL



GREEN LINE®

137

*Glass Door Connections
Out Of Your Imagination*

GREEN LINE®
www.greenline-acc.com



GREEN LINE[®]

SPECIFICATION AND PRODUCTS MAY BE MODIFIED WITHOUT FURTHER NOTICE. GREEN LINE WILL NOT BE RESPONSIBLE FOR PRINTING OR PHOTOGRAPHY ERRORS.

THE SPECIFICATION IN THE DIAGRAM OF ADVERTISEMENT ARE ONLY FOR PART OF THE PRODUCT.

IF YOU NEED MORE DETALIAD INFORMATION ABOUT OUR PRODUCT PLEASE CONTACT WITH A SERVICE AGENT.

COPYRIGHT GREEN LINE FOR IMPORT & EXPORT.