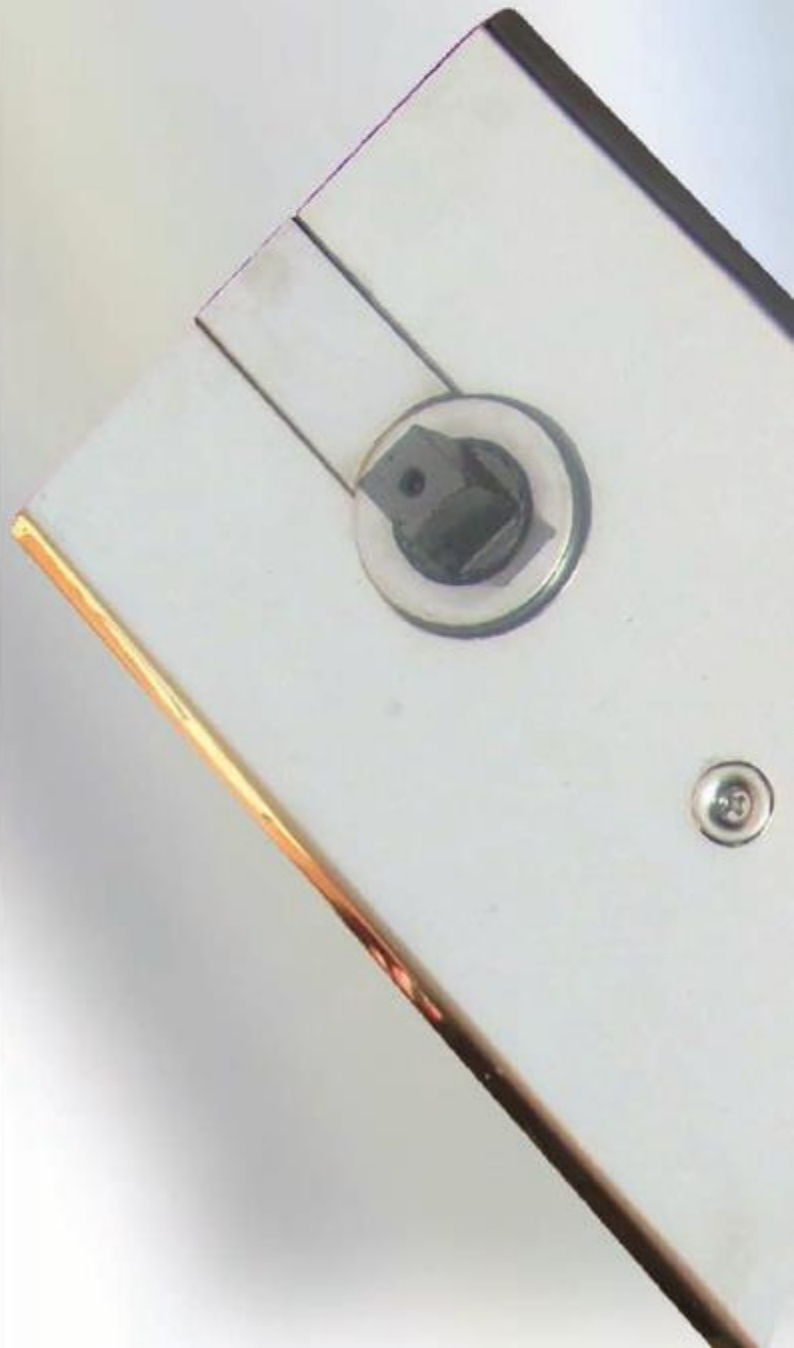


GREEN LINE

Glass Accessories & Hardware

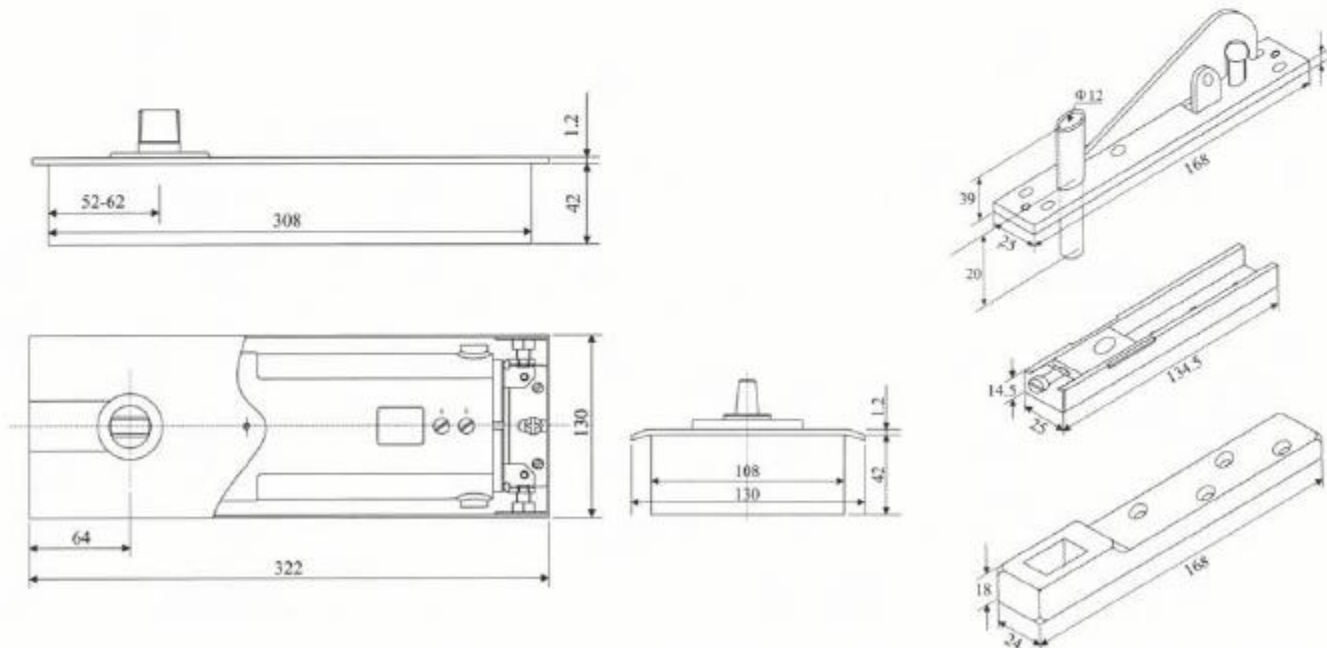
Gating
Controlling





GL-830 GREEN LINE Floor Hinge

Technical Details





- Adopting double-spring design, opening lightly and closing smoothly, prolonging service life.
- Inside pressure reducing value: using to prevent the destruction of the floor spring or oil leakage on occasions that the door is closed by strong pressure or wind force.
- General design, suitable for left or right hand to open the door in single and both sides.
- Use low temperature frostbite hydraulic oil, ensuring the normal door-closing speed when the temperature is forty degree below zero degree.
- For cement container, 6mm adjustable in height, 5mm in width and 10mm in length, which is convenient for assembling.
- Super thin designed, enable it convenient to be installed in district with special demands.

● Technological data

Feature	Technological data		Choice
Closing force	34Nm		—
Suitable for maximum wide door leaf	≤1200mm		—
The maximum bearing weight	150kg		—
The door closed speed is controlled by the adjusting valve	—		●
Opening angle	90°		●
Weight	6.5kg		—
Container Size	Length	308mm	—
	Width	108mm	
	Height	42mm	
The products have passed national QB/T 3884-99 standard	—		●

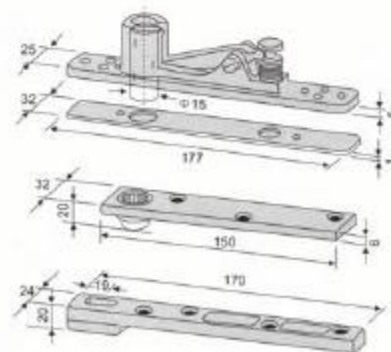
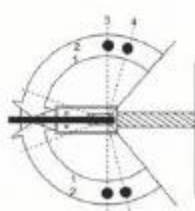
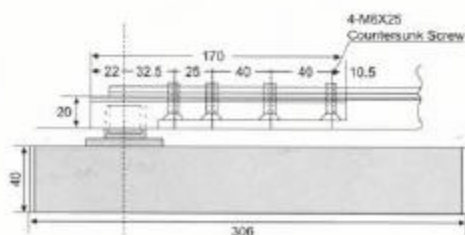
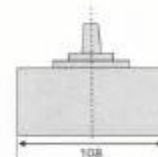
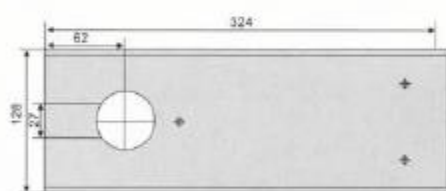
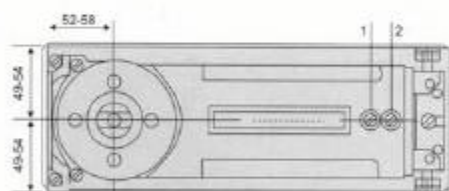
● Yes — No ○ Choice



GL-884 GREEN LINE Floor Hinge

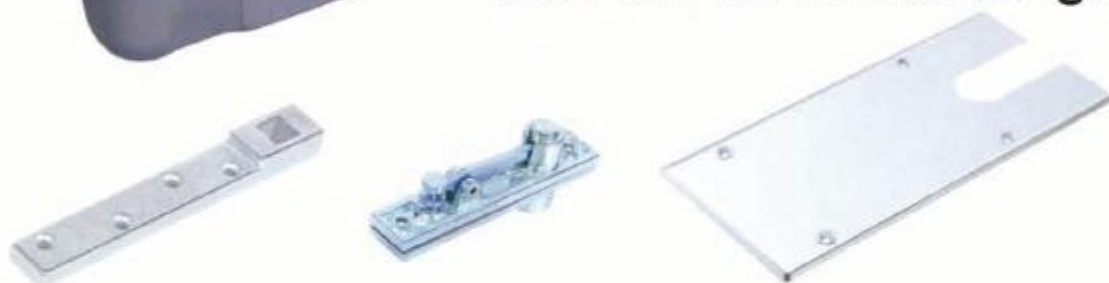
- ▶ 500,000 starting times guaranteed.
- ▶ It is applicable to double swing door with a max. Width of 1100mm and max. Weight of 100-130kg.
- ▶ The door can be opened max. 120° and closing effect is valid from 80° with single section adjustment.

Technical details



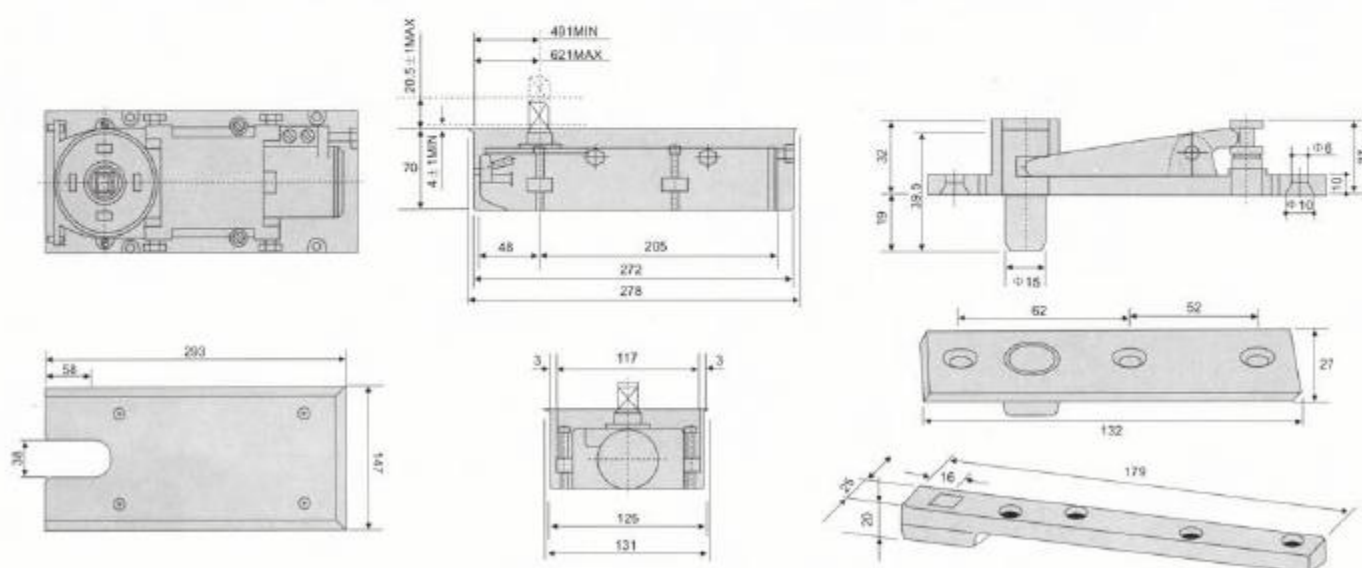


GL-873 GREEN LINE Floor Hinge



- ▶ 500,000 starting times guaranteed.
- ▶ It is applicable to double swing door with a max. Width of 1100mm and max. Weight of 100-180kg.
- ▶ The door can be opened max. 120° and closing effect is valid from 80° with single section adjustment.

Technical details





■ GL-1200



security system

■ GL-K60



■ GL-K700



■ GL-K02



■ GL-K05A



■ GL-K05



■ GL-300



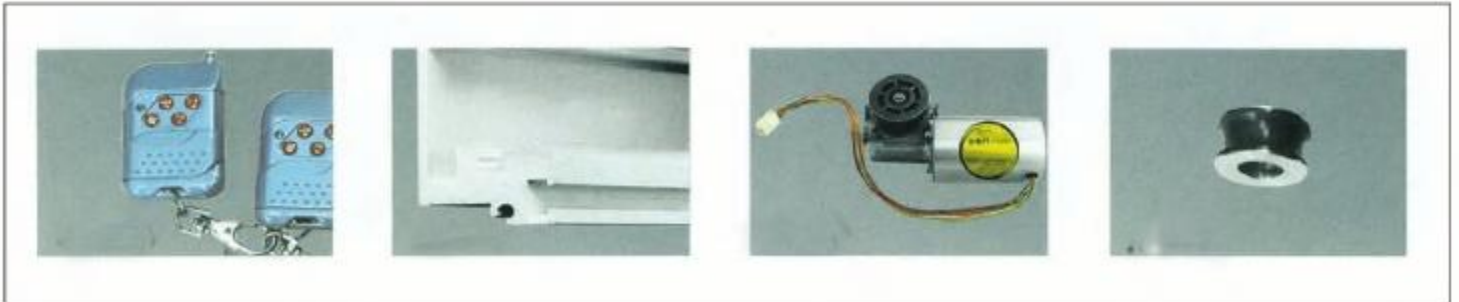
■ GL-300M



■ GL-300MDL



Automatic Glass Door





150kg



250kg



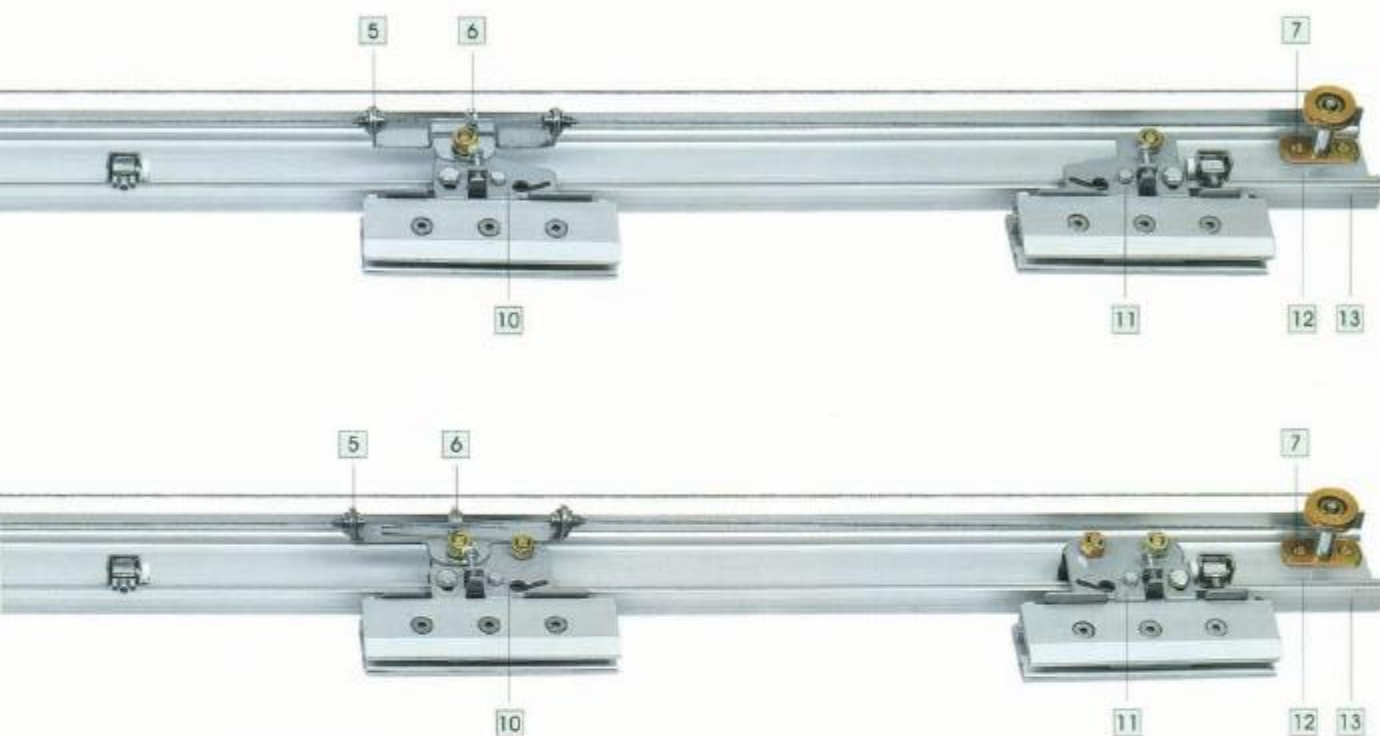
1000mm



180mm



180mm



H=80mm

GREEN LINE Automatic Glass Door





GREEN LINE[®]

SPECIFICATION AND PRODUCTS MAY BE MODIFIED WITHOUT FURTHER NOTICE. GREEN LINE WILL NOT BE RESPONSIBLE FOR PRINTING OR PHOTOGRAPHY ERRORS.

THE SPECIFICATION IN THE DIAGRAM OF ADVERTISEMENT ARE ONLY FOR PART OF THE PRODUCT.

IF YOU NEED MORE DETALIAD INFORMATION ABOUT OUR PRODUCT PLEASE CONTACT WITH A SERVICE AGENT.

COPYRIGHT GREEN LINE FOR IMPORT & EXPORT.